

HC-49/U, HC-49/U(SMD)



CRYSTAL SMD DIP

TYPICAL APPLICATIONS

Microprocessor Clock, Network Card, Cable Modems, ADSL, ISDN, Network Processor, A/V Card, Security System

FEATURES

High Reliable Resistance Sealed, Lead-free, Tight Tolerance and Stability, RoHS Compliant Standard



TYPICAL SPECIFICATIONS

| Model | HC-49/U, HC-49/U(SMD) | | |
|--|-------------------------------|-------------------|-------------------|
| Nominal Frequency Range | 1.500~30.0MHz | 20.0~90.0MHz | 70.0~160.0MHz |
| Standard Frequency | 3.57954, 4, 8, 24, 27, 120MHz | | |
| Vibration Mode | Fundamental [AT] | 3rd Overtone [AT] | 5th Overtone [AT] |
| Frequency Tolerance (@ +25°C) | ±10, ±15, ±20, ±30, ±50 ppm | | |
| Freq. Temp. Characteristics (Ref. to 25°C) | ±30 ppm | | |
| Operating Temperature Range | -10°C~+60°C | | |
| Storage Temperature Range | -40°C~+90°C | | |
| Load Capacitance | Series, 16pF, 20pF, 30pF | | |
| Shunt Capacitance | 7pF Max. | | |
| Drive Level | 10μW (1000μW Max.) | | |
| Equivalent Series Resistance | See Table 1 | | |
| Aging (+25°C) | ±3, ±5 ppm / year Max. | | |

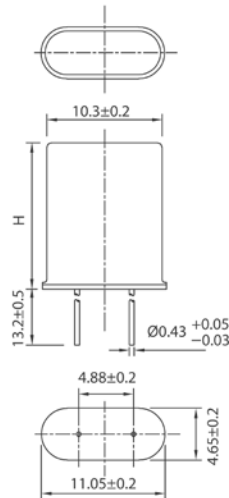
Please consult with our sales department for other parameters.

* Package quantity 1,000 pcs max./reel.

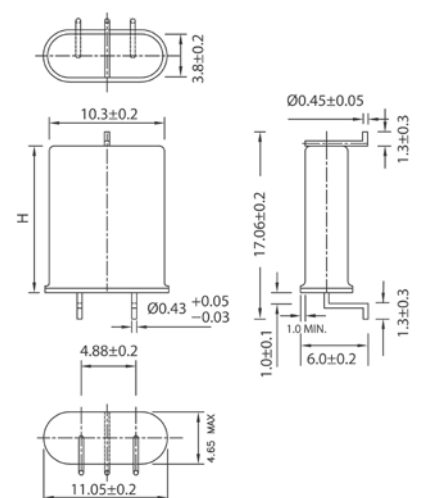
OUTLINE DIMENSIONS

Unit:mm

HC-49/U(DIP)



HC-49/U(SMD)



| Holder | H |
|----------|------|
| HC-49/U | 13.1 |
| HC-49/U1 | 9.5 |
| HC-49/U2 | 11.0 |
| HC-49/U3 | 11.4 |

TABLE 1: ESR

| AT-cut Fundamental | | AT-cut 3rd Overtone | | AT-cut 5th Overtone | |
|--------------------|--------|---------------------|--------|---------------------|--------|
| Frequency (MHz) | ESR(Ω) | Frequency (MHz) | ESR(Ω) | Frequency (MHz) | ESR(Ω) |
| 1.5~1.99 | 700 | 20.0~24.99 | 45 | 70.0~160.0 | 70 |
| 2.0~2.99 | 500 | 25.0~90.00 | 40 | | |
| 3.0~3.19 | 200 | | | | |
| 3.2~3.99 | 150 | | | | |
| 4.0~4.49 | 90 | | | | |
| 4.5~4.99 | 70 | | | | |
| 5.0~6.99 | 50 | | | | |
| 7.0~9.99 | 35 | | | | |
| 10.0~30.00 | 25 | | | | |

All specifications are subject to change without notice.