

LP-3.0S, LP-3.2S, LP-3.5S, LP-4.2S

CRYSTAL

SMD



TYPICAL APPLICATIONS

Microprocessor Clock, Network Card, Cable Modems, ADSL, ISDN, Remote Control Device, Network Processor, A/V Card, Security System

FEATURES

Metal Package, Resistance Sealed, SMD Lower Height Design, Lead-free, Tight Tolerance and Stability, RoHS Compliant Standard

DIMENSIONS

12.3 x 4.7 x H [mm]



TYPICAL SPECIFICATIONS

Model	LP-4.2S / LP-3.5S / LP-3.2S		LP-3.0S	
Nominal Frequency Range	3.5~50MHz	26~80MHz	10~50MHz	26~80MHz
Standard Frequency	3.57954, 4, 8, 14.31818, 24, 27MHz			
Vibration Mode	Fundamental	3rd Overtone	Fundamental	3rd Overtone [AT]
Frequency Tolerance (@ +25°C)	±50 ppm			
Freq. Temp. Characteristics (Ref. to 25°C)	±50 ppm			
Operating Temperature Range	-10°C~+70°C (-40°C~+85°C)			
Storage Temperature Range	-40°C~+90°C			
Load Capacitance	Series, 10pF, 12pF, 16pF			
Shunt Capacitance	5pF Max.			
Drive Level	10μW (100μW Max.)			
Equivalent Series Resistance	See Table 1			
Aging (+25°C)	±3, ±5 ppm / year Max.			

Please consult with our sales department for other parameters.

* Package quantity 1,000 pcs max./reel.

OUTLINE DIMENSIONS
Unit:mm

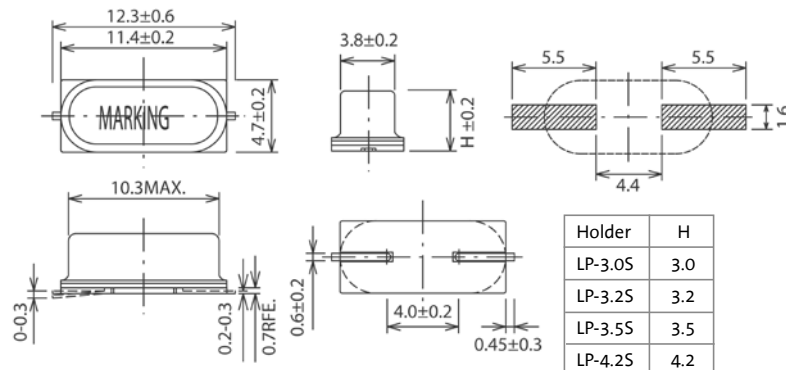


TABLE 1: ESR

LP Series		AT-cut 3rd Overtone	
AT-cut Fundamental		Frequency (MHz)	ESR (Ω)
Frequency (MHz)	ESR(Ω)	30.000~44.999	80
3.500~3.999	150	45.000~59.999	70
4.000~4.999	120	60.000~79.999	60
5.000~5.999	100		
6.000~8.999	80		
9.000~9.999	60		
10.000~12.999	50		
13.000~18.999	40		
19.000~50.000	30		

*LP-3.0S is available ≥10MHz.

All specifications are subject to change without notice.